



QCM70 Series

SMD Crystal, 4 Pads, 3.2x2.5x0.8mm

STANDARD SPECIFICATIONS

Frequency Range	13MHz to 100MHz
Frequency Tolerance (25°C)	± 50 ppm Standard (see Crystal Part Number Guide for more details)
Load Capacitance (CL)	18pF (see Crystal Part Number Guide for more details)
Aging	±5ppm max per year max
Frequency Stability over Operating Temperature	± 100 ppm Standard (see Crystal Part Number Guide for more details)
Operating Temperature Range	0°C ~+70°C Standard (see Crystal Part Number Guide for more details)
Storage Temperature Range	-40°C ~+85°C Standard

EQUIVALENT SERIES RESISTANCE (E.S.R.)

Mode of OSC.	Frequency (MHz)	ESR Max. (Ω)
Fundamental	20.0~30.0	100
	30.0~55.0	50

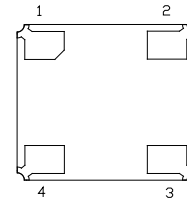
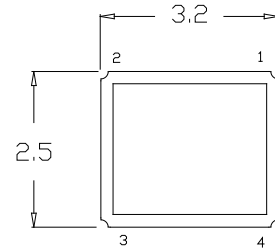
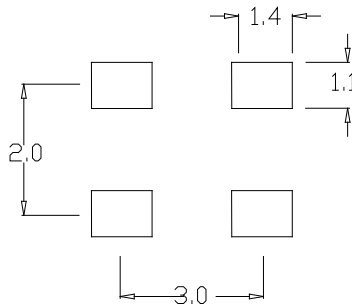
Ordering Instructions (see Crystal Part Number Guide for more details)

Example: QVS Part # = QCM70-21AF18-20.000

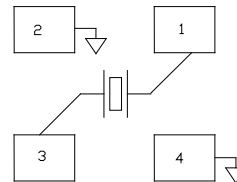
QCM70-	±50ppm(@ 25°)	±100ppm(Over Temp)	0°C~+70°C	Fundamental	Load Cap.	Freq.
	2	1	A	F	18pF	-20.000MHz

* See Engineering-Technical Info for Solder Re-flow and Tape and Reel Specs.

Recommended Pad Layout



Connection Diagram



Dimension Units: mm

QVS TECH INC

6965 El Camino Real, Ste 105 Carlsbad, CA 92009 Phone: 760-929-8677 Fax: 760-929-8077
email: sales@qvstech.com

Specifications subject to change without notice (Rev C)